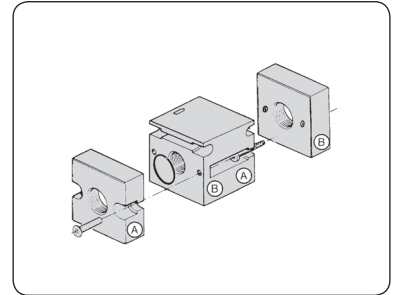
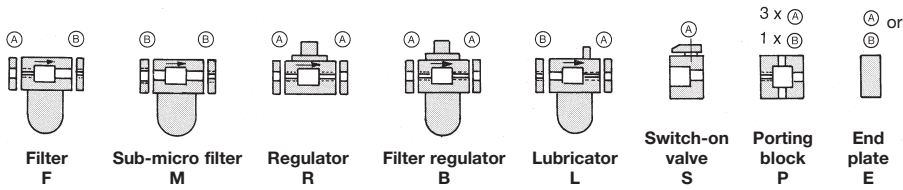


Description

Devices, end plates and branch plates are connected in such a way that a connection flange with through hole (A) is connected with a threaded hole flange (B).
 (A): mounting plate with through hole
 (B): mounting plate with threaded hole



Dimensions			Series	Connection thread	Order number	Order number	Order number
A	B	C					
mm	mm	mm		G			

End plate

with o-rings and screws, for bigger or smaller size of connection thread

PK

			end plate (A) for R, B or FRL			end plate (B) between F+S and F+L			end plate (A) and (B) for F or L		
40	40	16	35	G $\frac{1}{8}$	PK3520-01	PK3540-01	PK3510-01				
				G $\frac{1}{4}$	PK3520-02	PK3540-02	PK3510-02				
				G $\frac{3}{8}$	PK3520-03	PK3540-03	PK3510-03				
51	51	16	75	G $\frac{1}{4}$	PK7520-02	PK7540-02	PK7510-02				
				G $\frac{3}{8}$	PK7520-03	PK7540-03	PK7510-03				
				G $\frac{1}{2}$	PK7520-04	PK7540-04	PK7510-04				
68	68	26	105	G $\frac{3}{8}$	PK1052-03	PK1054-03	PK1051-03				
				G $\frac{1}{2}$	PK1052-04	PK1054-04	PK1051-04				
				G $\frac{3}{4}$	PK1052-06	PK1054-06	PK1051-06				



PK7520



PK7540

Direction plate

enables - FRL unit mounting shifted by 90°
 - combination of FRL units with different sizes

DP

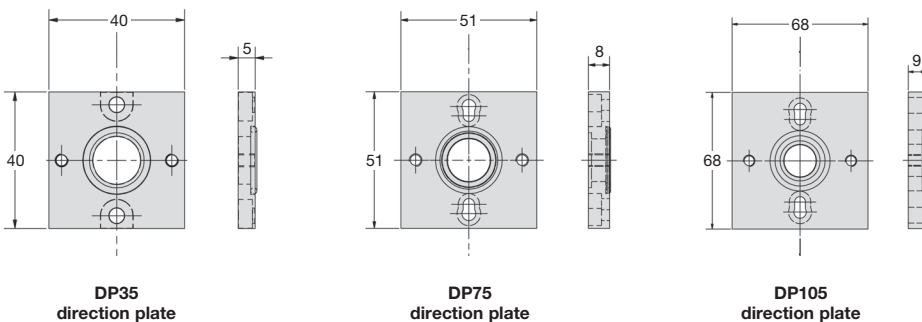
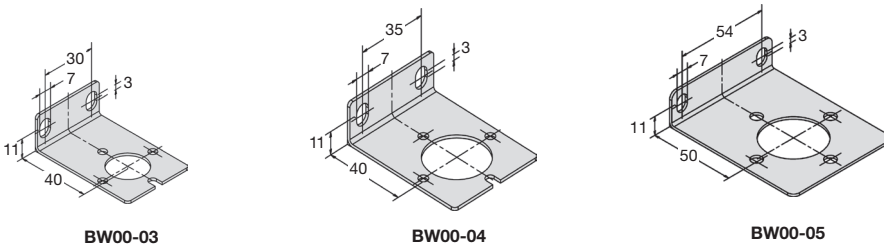
			complete with o-rings and screws (A) and (B)			DP 35		
5	40	40	35					DP 35
8	51	51	75					DP 75
9	68	68	105					DP105



DP75

Accessories, enclosed

mounting bracket		for side mounting		BW00-03	
35					
75					
105					
					BW00-04
					BW00-05



FRL units
19